



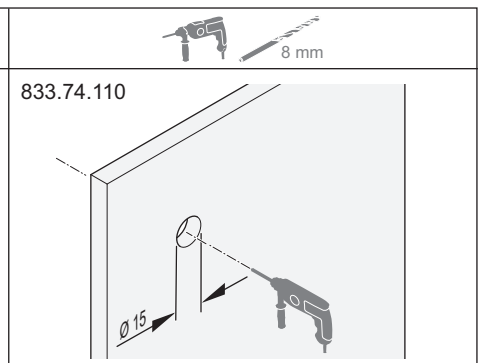
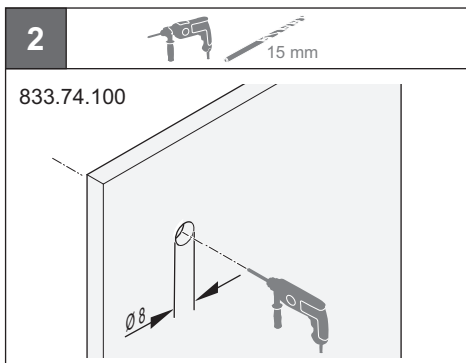
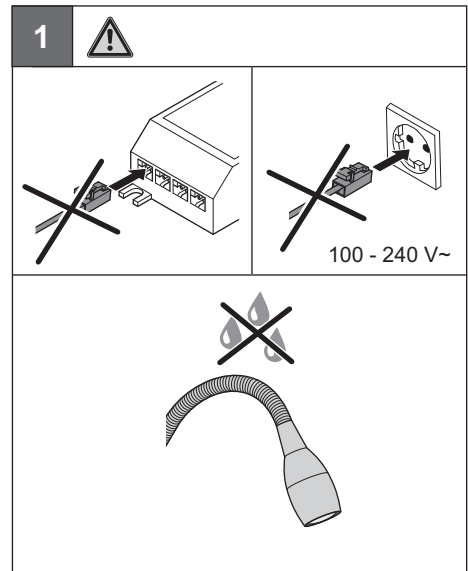
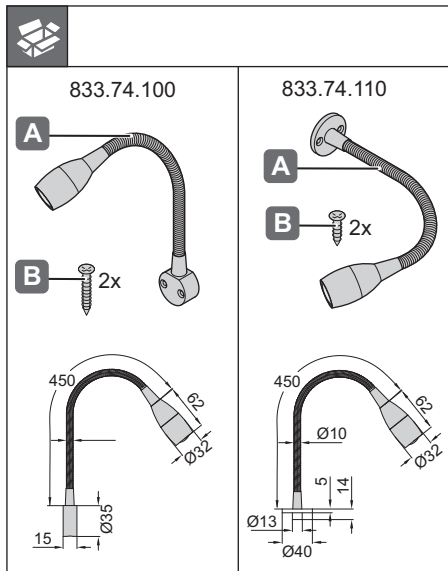


LED 2018

833.74.100
833.74.110

12 V System	K	W	T _A	 mm	
833.74.100	3000 K	2 W	-20 °C – +35 °C -4 °F – +95 °F	≥ 557 x 42	833.74.900
833.74.110					833.74.901

Maße in mm – Dimensions in mm – Medidas en mm



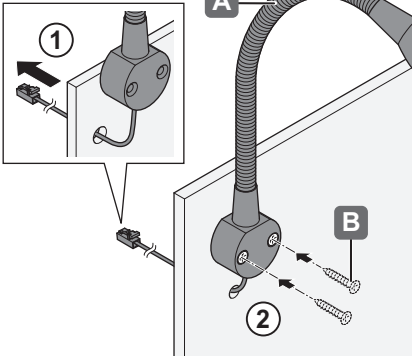
HDE 14/12/2010

732.28.207

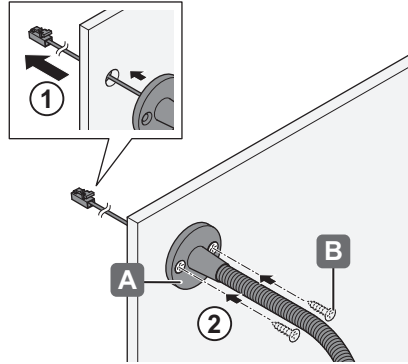
3



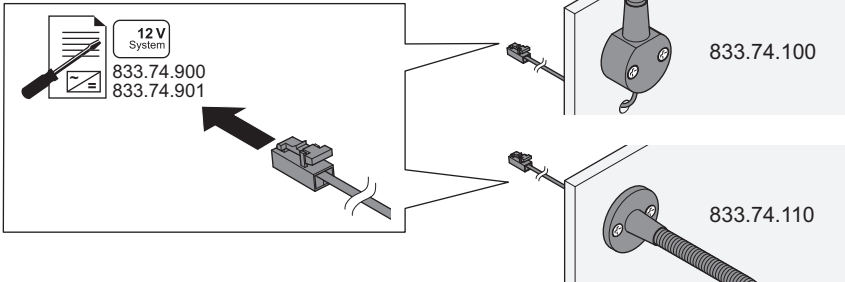
833.74.100



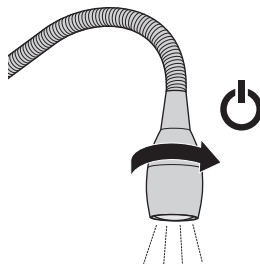
833.74.110



4



i



Maße in mm – Dimensions in mm – Medidas en mm

HDE 14/12/2010

732.28.207